

In Car Video

IVSC-1102

Operating and installation instructions



 **BLAUPUNKT**

CONTENTS

General information	7
Installation and safety notices	7
Accessories	7
Function	7
Supplied parts	8
Installation	8
Installation and safety notices	8
Positive connection	8
Switching positive	9
Negative (ground) connection	9
Specifications	9
Features	9
Connection diagrams	38

General information

Thank you for choosing a Blaupunkt product. We hope you enjoy using this new piece of equipment.

Please read these operating instructions before using the equipment for the first time.

The Blaupunkt editors are constantly working on making the operating instructions clearer and easier to understand. However, if you still have any questions on how to operate the device, please contact your dealer or the telephone hotline for your country. You will find the telephone number printed at the back of this booklet.

We provide a manufacturer guarantee for our products bought within the European Union. You can view the guarantee conditions at www.blaupunkt.de or ask for them directly at:

Blaupunkt GmbH
Hotline
Robert Bosch Str. 200
D-31139 Hildesheim

Installation and safety notices

Before connecting your signal controller, please read the following information carefully.

The battery's negative terminal must be disconnected for the entire time it takes to install and connect this device.

When doing so, observe the vehicle manufacturer's safety notices (airbags, alarm systems, trip computers, immobilizers).

Before drilling any holes, make sure that no installed cables or vehicle components can be damaged.

When installing the signal controller, select a location in the vehicle that allows you to attach it firmly into place using screws. The installation location should be such that the signal controller does not get in the way of the driver and cannot endanger the occupants in the event of the vehicle suddenly coming to a halt, for instance, during an emergency stop.

Accessories

We recommend you use accessories that have been approved by Blaupunkt.

Function

The IVSC-1102 signal controller makes it possible for you to connect analogue video sources like the IVDP-01, IVTV-01, etc. to Blaupunkt navigation components such as TravelPilot DX-N, DX-V and similar devices.

Certain settings must be configured in the navigation component's menu before a video source image can be displayed on the navigation monitor.

You will find information on the necessary settings in the operating instructions for those components.

Supplied parts

The signal controller is supplied with all the parts listed below. Please check that the range of parts supplied with your device is complete. If one of the listed parts is missing, please contact your dealer immediately.

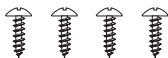
- Signal controller 7 607 003 553



- Connecting cable



- Screws



- Operating and installation instructions

Installation

Installation and safety notices

Before connecting your signal controller, please read the following information carefully.

The battery's negative terminal must be disconnected for the entire time it takes to install and connect this device.

When doing so, observe the vehicle manufacturer's safety notices (airbags, alarm systems, trip computers, immobilizers).

Before drilling any holes, make sure that no installed cables or vehicle components can be damaged.

When installing the signal controller, select a location in the vehicle that allows you to attach it firmly into place using screws. The installation location should be such that the signal controller does not get in the way of the driver and cannot endanger the occupants in the event of the vehicle suddenly coming to a halt, for instance, during an emergency stop.

Note:


Before connecting the monitors to your signal controller, check that the +/- and switching positive connections are working properly.

Positive connection

Connect the fuse holder (**1A fuse**) to protect the positive cable (permanent (1), see Fig. 1). The fuse holder should

be connected to the positive terminal at a distance of max. 30 cm from the vehicle battery (if necessary, drill a hole in the bulkhead and use the appropriate cable grommets).

Switching positive

Connect the switching positive cable (2) (see Fig. 1) to the switching positive output (ignition ) of the main device (e.g. car radio or navigation device). If connecting to terminal 15 of the vehicle, protect the switching positive cable (2) by installing a fuse holder (1A fuse) at a maximum distance of 20 cm from the point of connection.

Negative (ground) connection

Attach the negative cable (1) (earth/GND, (3), see Fig. 1) directly to the vehicle body using a screw. Scratch the surface down to the bare metal at the point at which the earth contact is made and apply graphite grease (important for a good earth connection).

- If the installation requires holes to be drilled or any other changes to be made to the vehicle, please contact a specialist workshop in your area.

Note:

You cannot display PAL video on the wide vision TV monitor using the RGB input.

In this case, the PAL video signal must be connected directly to the AV input of the wide vision TV monitor.

Specifications

Video input:

Composite Video, 1.0 Vpp, 75 Ohm

RGB output (video signal, internal resistance 75 ohm):

Typical 0.7 Vpp

RGB output (composite sync, internal resistance 75 ohm):

Typical 1.0 Vpp

Power supply:

DC12V, +/- 10%, max. 1A

Features

1 Video input:

Cinch jack

1 RGB output:

15-pin Sub-D plug-type connector

Conversion:

CCVS (NTSC/PAL) in RGB 50/60 Hz

Power input:

4-pin plug-type connector

Metal housing

Anschlussbilder • Connection diagrams • Schéma électrique • Schemi di allacciamento • Aansluittekeningen • Anslutningsbilder • Esquemas de conexión • Esquemas de ligação • Tilslutningsskemaer

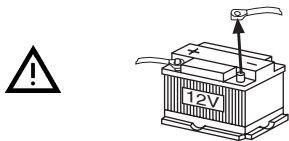


Fig. 1

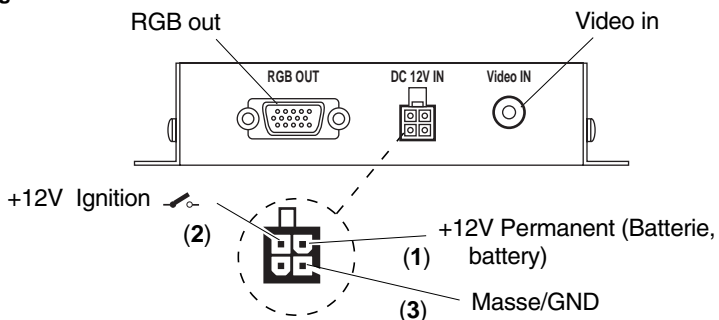
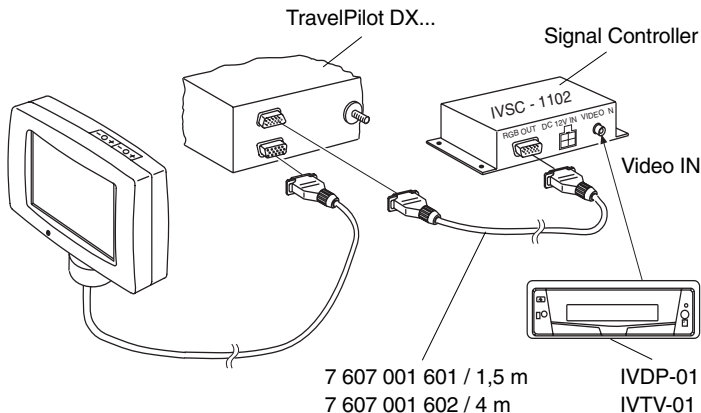


Fig. 2



Service-Nummern / Service numbers / Numéros du service après-vente / Numeri del servizio di assistenza / Servicenummers / Telefonnummer för service / Números de servicio / Números de serviço / Servicenumre

Country:	Phone:	Fax:	WWW:
Germany	(D) 0180-5000225	05121-49 4002	http://www.blaupunkt.com
Austria	(A) 01-610 390	01-610 393 91	
Belgium	(B) 02-525 5454	02-525 5263	
Denmark	(DK) 44 898 360	44-898 644	
Finland	(FIN) 09-435 991	09-435 99236	
France	(F) 01-4010 7007	01-4010 7320	
Great Britain	(GB) 01-89583 8880	01-89583 8394	
Greece	(GR) 210 57 85 350	210 57 69 473	
Ireland	(IRL) 01-4149400	01-4598830	
Italy	(I) 02-369 6331	02-369 6464	
Luxembourg	(L) 40 4078	40 2085	
Netherlands	(NL) 023-565 6348	023-565 6331	
Norway	(N) 66-817 000	66-817 157	
Portugal	(P) 01-2185 00144	01-2185 11111	
Spain	(E) 902-120234	916-467952	
Sweden	(S) 08-7501500	08-7501810	
Switzerland	(CH) 01-8471644	01-8471650	
Czech. Rep.	(CZ) 02-6130 0441	02-6130 0514	
Hungary	(H) 01-333 9575	01-324 8756	
Poland	(PL) 0800-118922	022-8771260	
Turkey	(TR) 0212-3350677	0212-3460040	
USA	(USA) 800-2662528	708-6817188	
Brasil (Mercosur)	(BR) +55-19 3745 2769	+55-19 3745 2773	
Malaysia (Asia Pacific)	(MAL) +604-6382 474	+604-6413 640	

Blaupunkt GmbH

